

valentina
collection



Sirius

Congratulations on your purchase!
Thank you for choosing a Sirius product.

Ceiling cassette user manual

INSTALLATION AND USE INSTRUCTIONS

SLT958 EM

SLT958 EM WH

SLT952 EM

SLT968 EM

SLT968 EM WH

SLT960 EM

EAN #9351116001292

EAN #9351116001780

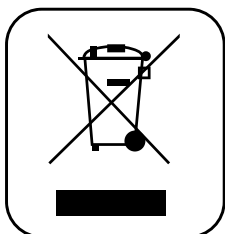
EAN #9351116001018

EAN #9351116002053

EAN #9351116002060

EAN #9351116000936

BEFORE YOU INSTALL	3
TO THE ATTENTION OF THE USER	4
PRE-INSTALLATION CHECKS	5
OPENING THE GLASS PANELS	7
LINE MEASUREMENTS	8
INSTALLING THE TIMBER SUPPORT BEAMS	9
MOTOR AND VENTING OPTIONS	10
TOP VENT INSTALLATION	11
SIDE VENT INSTALLATION SEM 1 & SEM 2	12
SIDE VENT INSTALLATION SEM 7 & SEM 8	13
REMOTE CONTROL	14
DUCTING FROM MOTOR TO WALL	15
ELECTRICAL CONNECTION	15
WIRING DIAGRAMS	16
PARTS LIST	20
WARRANTY	22



The symbol on the product or on its packaging indicates that this product may not be treated as household waste. Instead it shall be handed over to the applicable collection point for the recycling of electrical and electronic equipment. By ensuring this product is disposed of correctly, you will help prevent potential negative consequences for the environment and human health, which could otherwise be caused by inappropriate waste handling of this product. For more detailed information about recycling of this product, please contact your local city office, your household waste disposal service or the shop where you purchased the product. This appliance is marked according to the European directive 2002/96/EC on waste electrical and electronic equipment (WEEE).

 **CAUTION** 

BEFORE YOU INSTALL – please read

Sirius warranty covers only Sirius product. If you choose to install a non-Sirius branded accessory such as flexible ducting, Sirius will only warrant the hood and motor. If installation is found to be the cause of failure or issue then charges will apply for service and parts.

Flexible ducting is not permitted under any circumstances. Flexible ducting has been found to increase noise levels, increase vibration and reduce airflow.

Sirius Semi-rigid or solid ducting can be used in lieu.

There is a range available to suit any application.

 **WARNING** 

The appliance must be installed and connected to the power supply only by a qualified technician.

- There shall be adequate ventilation of the room when the range hood is used at the same time as appliances burning gas or other fuels (not applicable to appliances that only discharge the air back into the room)
- The details concerning the method and frequency of cleaning
- There is a fire risk if cleaning is not carried out in accordance with the instructions;
- Do not flambé under the **range hood**;
- CAUTION: Accessible parts may become hot when used with cooking appliances.

Ducting available at www.siriusbrand.com

A reduction in the duct diameter from stated ducting size will void warranty.

If you are in doubt about the ducting, please contact Sirius on 1300 762 219 prior to installation



TO THE ATTENTION OF THE USER

This rangehood is designed to work with ducted outside evacuation.



Keep these instructions for use with the appliance. If the appliance should be sold or passed on to others, make sure that the instructions are passed on with it. We thank you for taking note of these suggestions before installing and using the appliance. They have been written for your personal safety and the safety of others.

SAFETY INSTRUCTIONS

These hoods have been designed for personal use in the home. The appliance must be used by adults. Make sure that the appliance is out of reach of children and that they do not use it to play with. Make sure that children do not operate the controls.

- When the appliance is delivered, check the overall appearance of the packaging. **Check PARTS LIST on page 20 for all included parts prior to discarding packaging.**

Any remarks should be written on the delivery docket, of which you keep a copy.

Your appliance is designed for normal domestic use. It is not designed for commercial or industrial use, or for purposes other than those for which it was designed.

- Any consequences of or damage from incorrect installation or incorrect use of the appliance will not be covered by the manufacturer's guarantee.
- Do not ever change or try to change the characteristics of this appliance. This would be a danger. Repairs must be performed only by an authorised technician.
- Always disconnect the hood before carrying out cleaning or maintenance operations.
- Adequately ventilate the room when a rangehood and other appliances, powered by energy other than electricity, are used simultaneously, so that the hood does not suck any combustion fumes.
- It is not allowed to cook food over open flames (flambé) or operate gas hobs without pots or pans on them under the hood itself (the flames sucked into the hood might damage the appliance).
- Frying under the appliance must be done under constant supervision as hot oils and fats may ignite.
- Respect the guidelines for cleaning and replacement of grease filters. Accumulated deposits of grease are a fire hazard.

- This appliance must not be used over cook tops powered by wood or coal or in any case, over cook tops with power levels that could damage the appliance.
- Never use steam or high-pressure devices for cleaning your hood (regulations regarding electrical safety).
- Never use the rangehood without the grease filters.

At Sirius, we are constantly seeking to improve our products. We reserve the right to modify their technical, functional, or aesthetic characteristics deriving from their upgrading.

Motors manufactured and approved by Sirius only are to be used at all times. Failure to comply with this will result in the forfeit of the manufacturer warranty.

The air collected must not be conveyed into a flue used for smoke or fumes from appliances powered by anything other than electricity (central heating systems, bathroom and toilet exhausts, etc.). As far as discharging exhaust air is concerned, please follow the guidelines given by competent authorities.

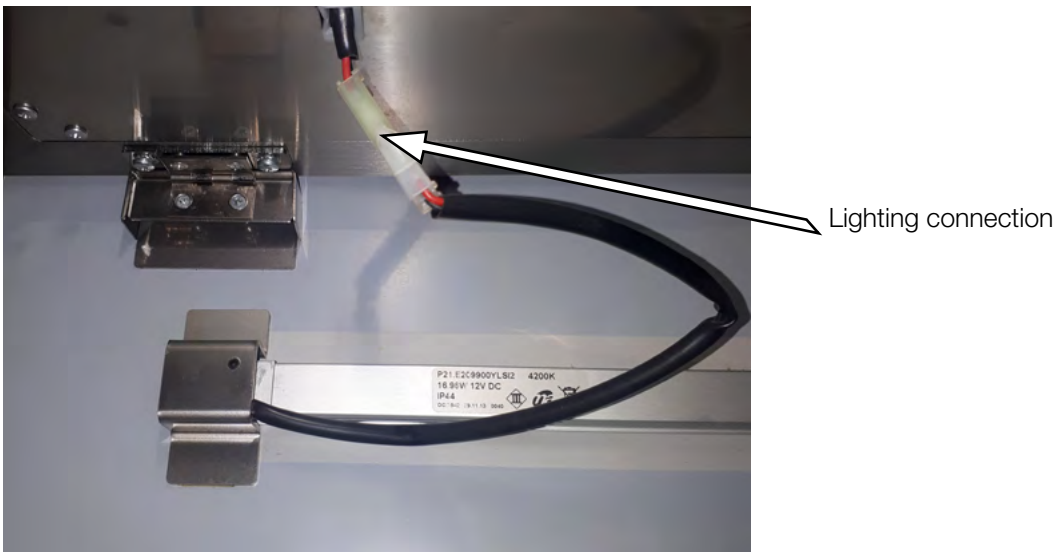


Check PARTS LIST on page 20 for all included parts prior to discarding packaging.

PRE-INSTALLATION CHECKS

Connect all of the electrical components to the unit and motor to make sure both the unit and the motor are functioning properly.

(NOTE: The motor plug is fitted with a dummy plug - with the exception of SEM1 motor - to protect the connection from dust. Ensure the red dummy plug is removed and replaced with the two pin motor plug from the power transformer box. Failure to do so will result in only two speeds operating).



Remove all plugs and proceed with installation if both unit and motor are fully operational.



Installation must comply with the regulations in force regarding the ventilation of enclosed environments. In particular, discharged air must not be conveyed into a duct used for fumes discharge or discharge from appliances using gas or other combustible materials. Air cannot be ducted into roof space.

The use of discontinued ducts is not allowed without the approval of a qualified technician.

BEFORE YOU INSTALL

Sirius warranty covers only Sirius product. If you choose to install a non-Sirius branded accessory such as flexible ducting, Sirius will only warrant the hood and motor. If installation or inferior parts are found to be the cause of failure or issue then charges will apply for service and parts.

Flexible ducting is not permitted under any circumstances. Flexible ducting has been found to increase noise levels, increase vibration and reduce airflow. Sirius Semi-rigid or solid ducting can be used in lieu. There is a range available to suit any application.

Available at www.siriusbrand.com

A reduction in the duct diameter from stated ducting size will void warranty. If you are in doubt about the ducting, please contact Sirius on 1300 762 219 prior to installation.

 **WARNING** 

Before proceeding with the installation of the ceiling cassette, please thoroughly inspect the entire unit (including the motor) for any damages, including all of the electrical connections. If any damage is found, cease installation and report it immediately to the retail partner that the cassette was purchased from.

 **NOTE** 

- Only use Sirius Ducting with a maximum length of 7 metres & minimum of 2 metres from the outlet collar on the cassette to the motor location.
- Limit the number of elbows in the ducting, since each 90 degree bend reduces the air capacity by 1 lineal metre (e.g. if there are 2 x 90 degree bends, the maximum duct length should not exceed 5 metres.)
- Avoid abrupt changes of direction where possible, bends of more than 90 degrees should be avoided at all costs.
- Use of 150mm ducting is applicable for SLT958 models only, 200mm ducting is applicable for SLT952 / SLT960 / SLT968.

 **WARNING** 

Reduction of the ducting diameter will void the manufacturer warranty as it will severely affect the performance of the motor and may cause damage with prolonged usage.

 **WARNING** 

Use ducting approved by standards enforced, see www.siriusbrand.com for details for approved ducting. The manufacturer will not be deemed responsible for air capacity and noise problems caused by failure to comply with the above and no warranty on the product will be provided.

 **DANGER** 

FAILURE TO INSTALL THE SCREWS OR FIXING DEVICE IN ACCORDANCE WITH THESE INSTRUCTIONS MAY RESULT IN ELECTRICAL HAZARDS OR ELECTROCUTION.

 **NOTE** 

The cassette requires one 10AMP GPO located inside the ceiling cavity to power both the lighting and the motor.

The ceiling cassette is designed for a ceiling height of up to 2700mm high.

• **SLT960 EM ONLY**

Installation of the ceiling cassette can either be installed 50mm proud mounted or 260mm proud with the additional purchase of the stainless steel proud mount kit (SPS-76105980960)

OPENING THE GLASS PANELS - SLT960 EM

Step 1a: Accessibility to the filters is done by pulling down on the glass panels. These are held on by magnets.

Swing the glass panels downwards on either side to expose the grease filters. (Fig. 1)

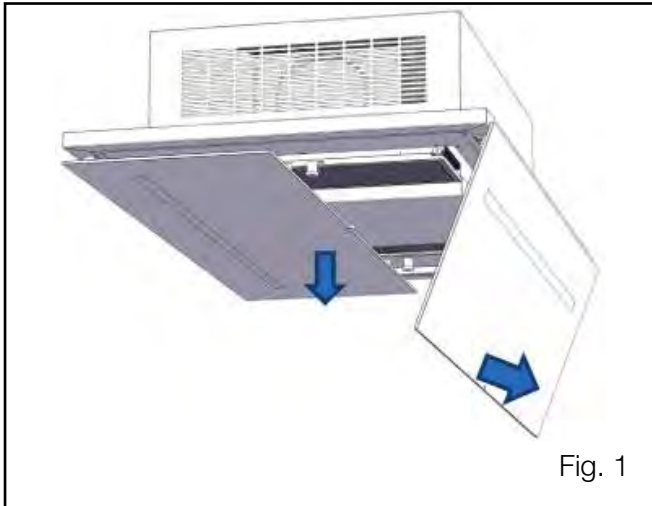


Fig. 1

OPENING THE LIGHT PANELS - SLT952 EM

Step 1b: Depress the tabs on either side of the two panels, pull down and allow them to swing open to expose the grease filters. (Fig. 2)

A chain is fitted for safety purposes.

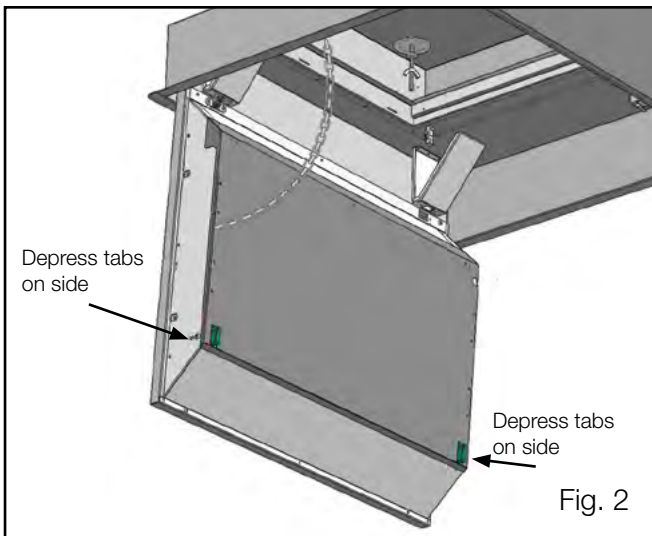


Fig. 2

OPENING THE COVER PANELS - SLT958 EM, SLT958 EM WH, SLT968 EM, SLT968 EM

Step 1c: On the side where the speed control light is visible, pull down in the centre of the panel.

The panel is held on by a strong magnet. Allow the panel to swing open to expose the grease filters.

(Fig. 3) A chain is fitted for safety purposes.

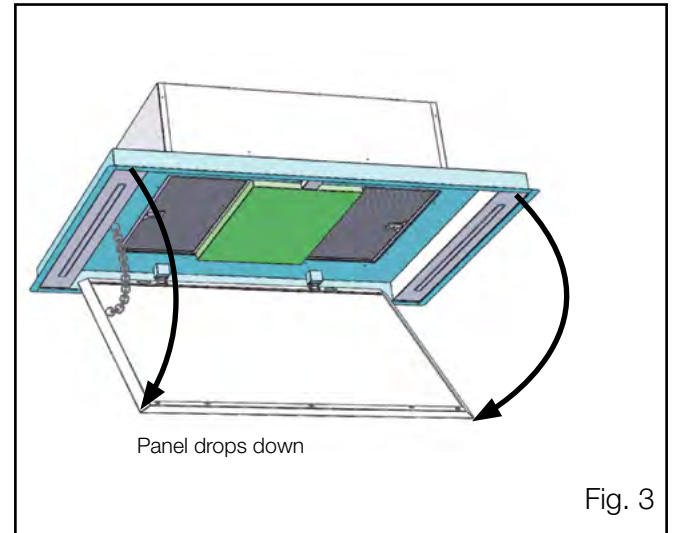
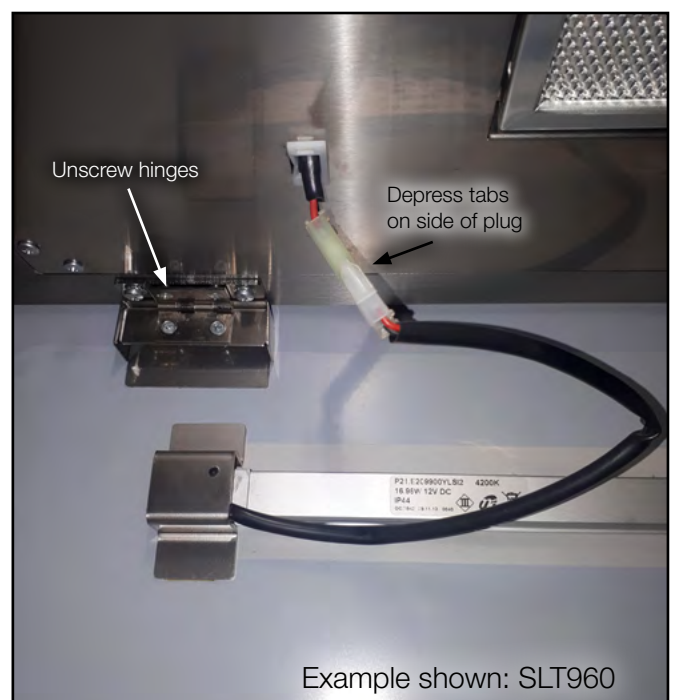


Fig. 3

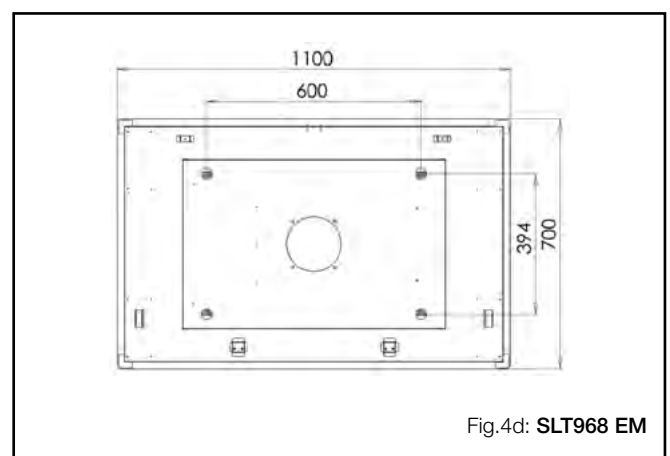
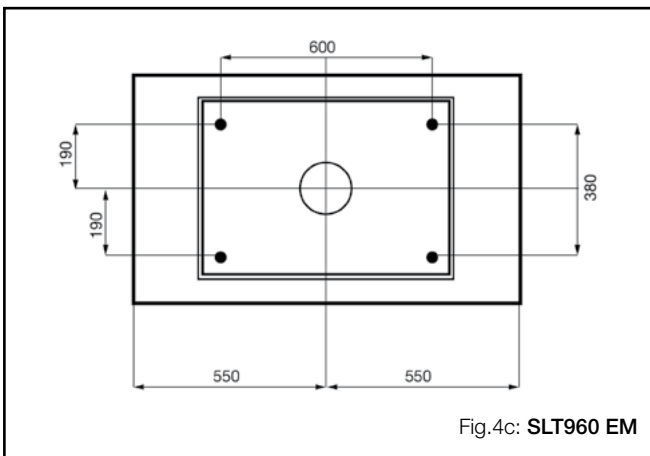
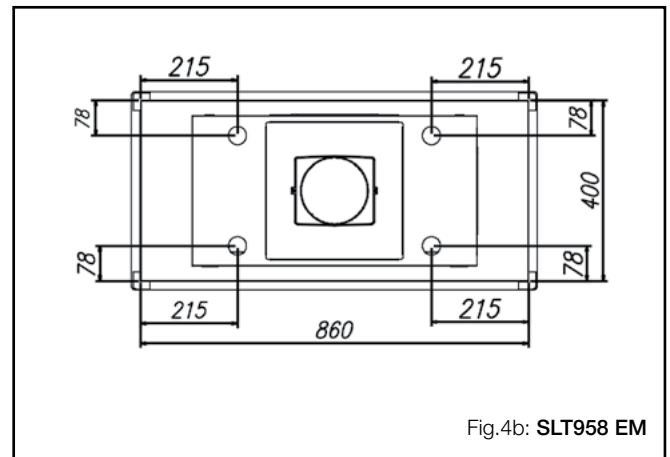
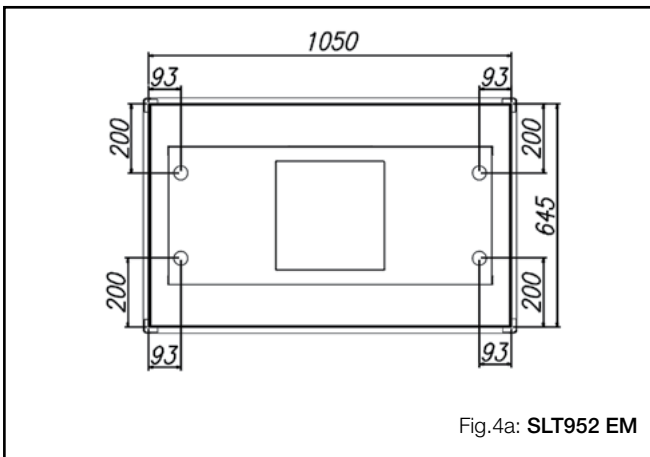
Step 1d: After swinging open the panel/panels on any of the cassettes, disconnect the lighting by depressing the tabs on the connection plug and pulling the cable.

So that no damage is caused during the installation process, remove the panels by unscrewing the hinges on the underside of the cassette. This will also lighten the cassette to make lifting it into place and installation easier.



Example shown: SLT960

LINE MEASUREMENTS FOR MOUNTING HOLES



As every installation will differ slightly depending on the ceiling cavity of the dwelling, this installation shall be used as a guide only.

- These cassettes are held in place with the use of the 4 x 250mm threaded bolts. Using the measurements in the Fig. 4 line drawings ensure that there is timber framework (not supplied) inside the cavity to support the weight on the cassette. Please refer to each individual measurement for the exact location of the mounting holes or take a physical measurement of the location when the cassette has been unpackaged.



INSTALLING THE TIMBER SUPPORT BEAMS

- After running the timber support beams in the cavity above, pre-drill 4 x 8mm holes through the timber and pass the 4 x 250mm bolts through them, ensuring that the **larger washer** is on the **INSIDE OF THE CEILING CASSETTE**. (Fig. 5a)

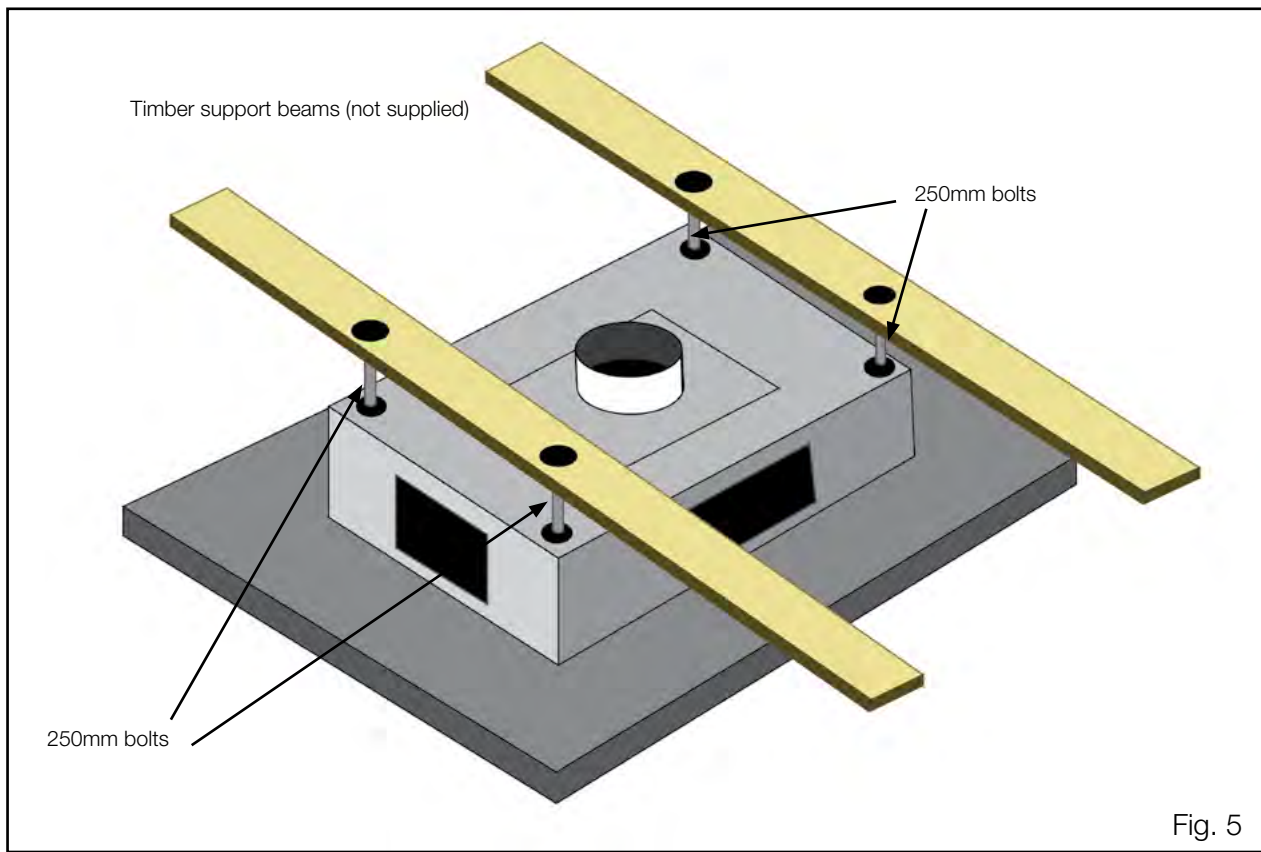


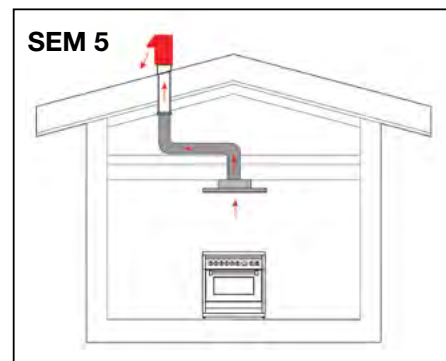
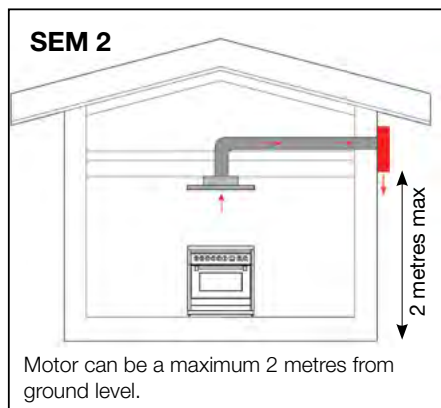
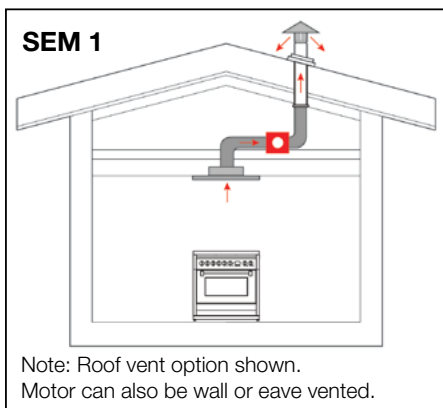
Fig. 5

- Lift the cassette into position and ensure that the 4 x 250mm bolts pass through the mounting points. Fit the larger diameter washer first and then wind the wingnut up the thread and tighten the cassette into position. These will enable you to flush the unit tight with the ceiling (Fig. 5a).
- After screws are fitted, replace the panels that were removed during **Step 1d** by reattaching the hinges and reattaching the light cable.



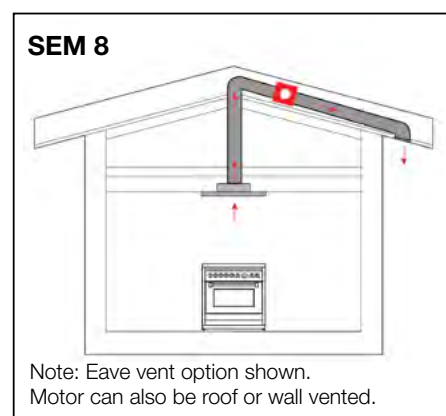
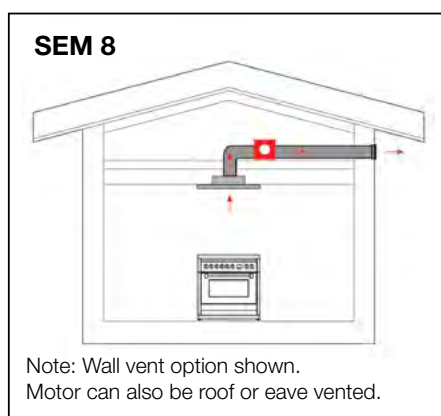
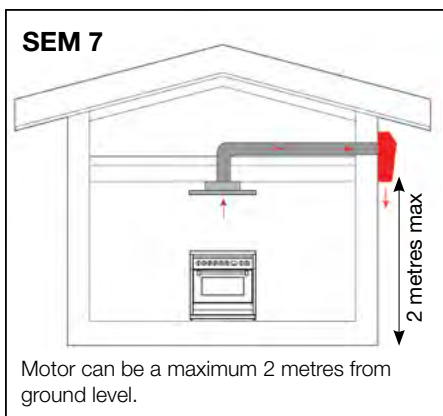
Fig. 5a

MOTOR AND VENTING OPTIONS:
SLT958 EM (150mm DUCTING)



Motor MUST be accessible for servicing at all times.

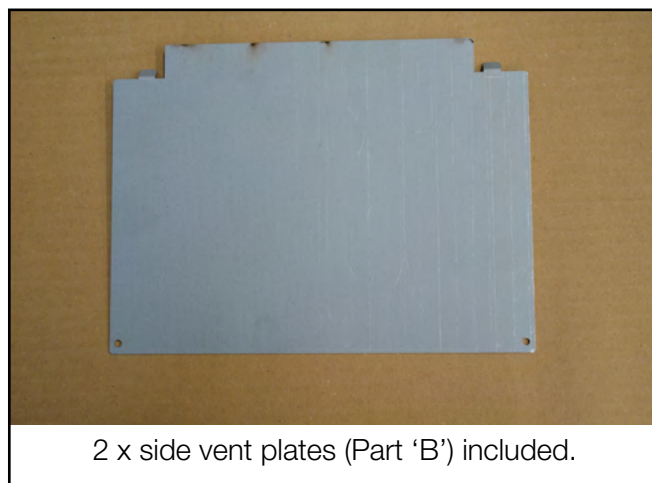
MOTOR AND VENTING OPTIONS:
SLT952 EM, SLT960 EM, SLT968 EM
(200mm DUCTING)



Motor MUST be accessible for servicing at all times.

CONNECTION OF THE SELECTED OFFBOARD MOTOR: TOP VENT OPTION

- Ensure that the two side venting options are blocked off with the included plates.



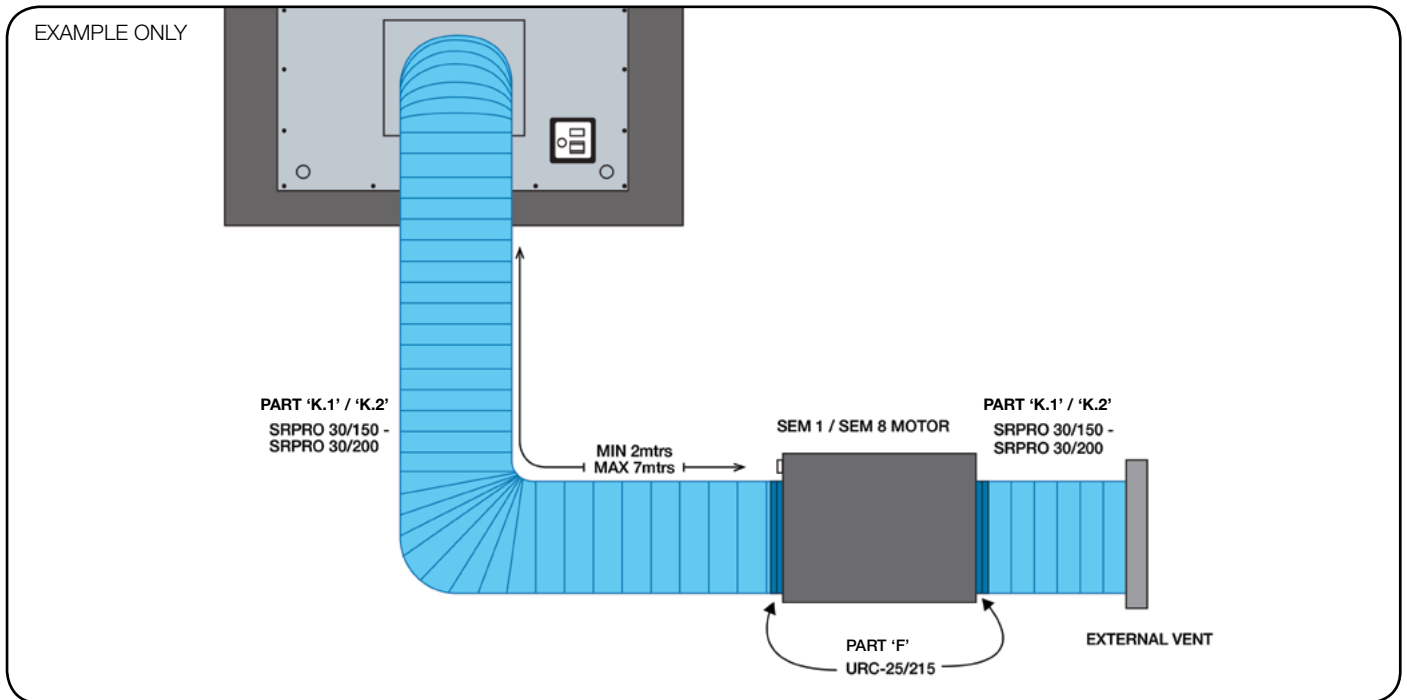
TOP VENT INSTALLATION

1. Use 150mm ducting (Part 'K.1') for SLT958 EM models or 200mm ducting (Part 'K.2') for SLT952 / SLT960 EM / SLT968 EM models.
2. The ducting fits directly onto the collar on the top adaptor plate (Part 'D').
3. Fix in place using a universal ring clamp (Part 'G').

INTERNAL MOTOR:

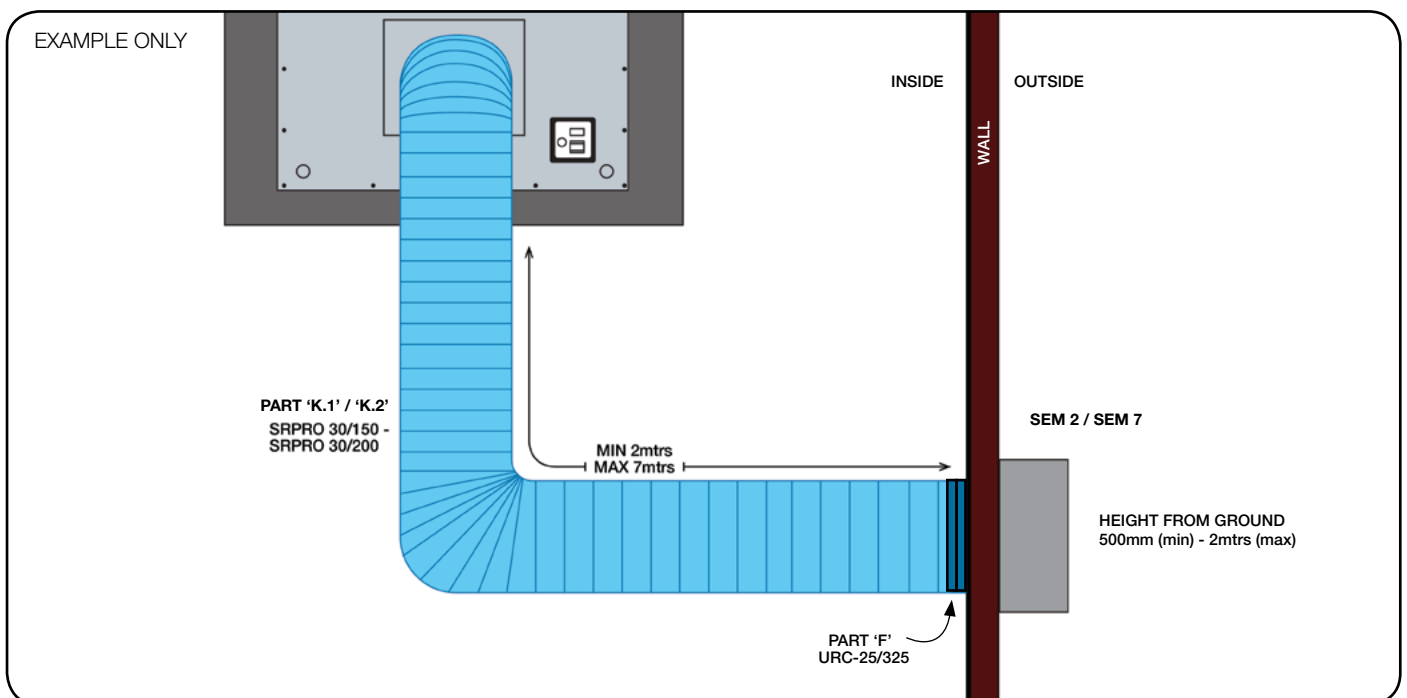
Ducting to SEM 1 (150mm) / SEM 8 motor (200mm)

Please note that the final exit point for SEM 1 or 8 can be through the roof, wall or eave vent.



EXTERNAL MOTOR:

Ducting to SEM 2 (150mm) / SEM 7 motor (200mm)



EXTERNAL MOTOR: Ducting to SEM 5 (150mm)

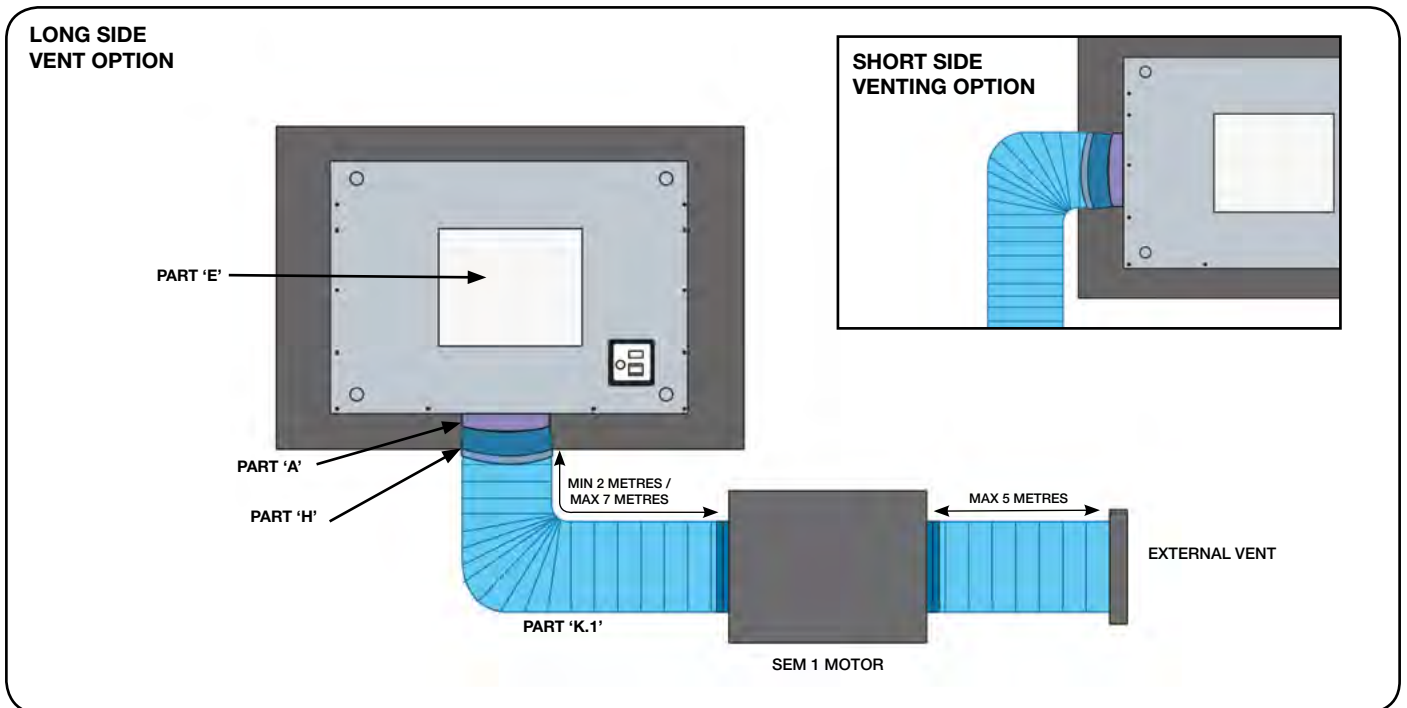
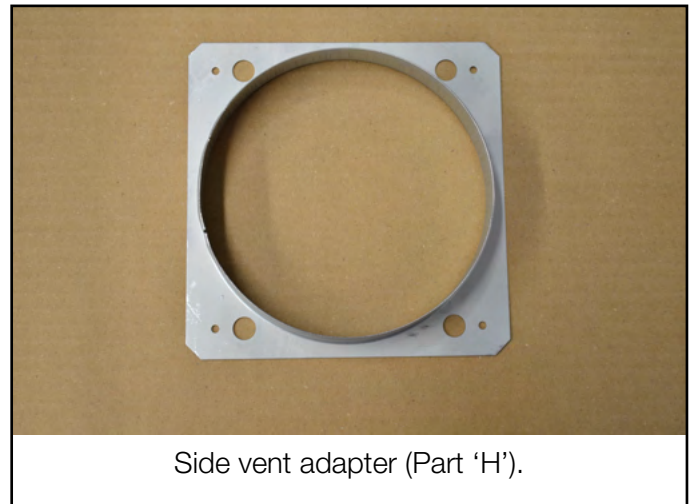
SLT958 EM models only: Download SEM5 user manual from www.siriusbrand.com

SIDE VENT INSTALLATION: SLT958 EM
150mm DUCTING: SEM 1 MOTOR (INTERNAL)

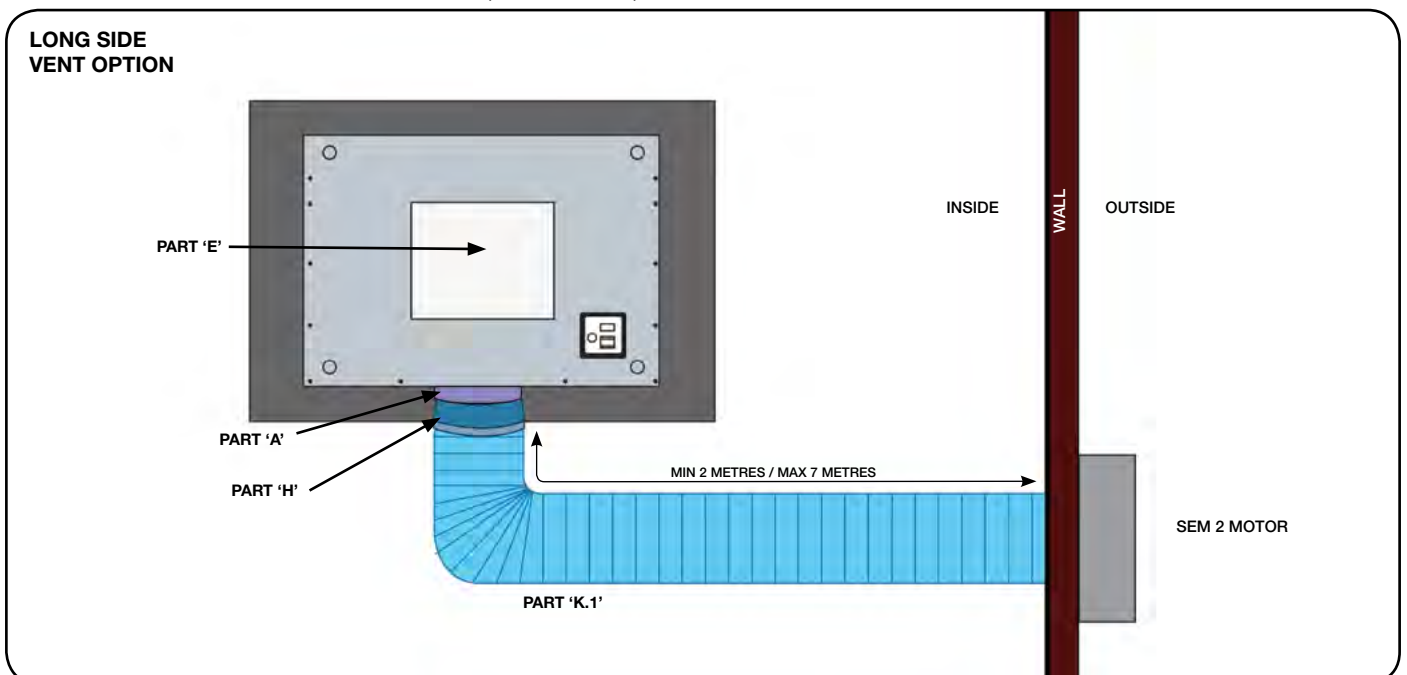
- Ensure that the unused side and top ports are blocked off using the supplied blocking ports (Part 'B' and Part 'E').

1A: Connect the top of the 150mm connector piece (Part 'H') to the round outlet on adaptor (Part 'A'), the connect length of 150mm ducting (Part 'K.1') to the bottom of the 150mm connector piece (Part 'H').

2A. Secure to the motor with a universal ring clamp (Part 'F').



SIDE VENT INSTALLATION: SLT958 EM
150mm DUCTING: SEM 2 MOTOR (EXTERNAL)



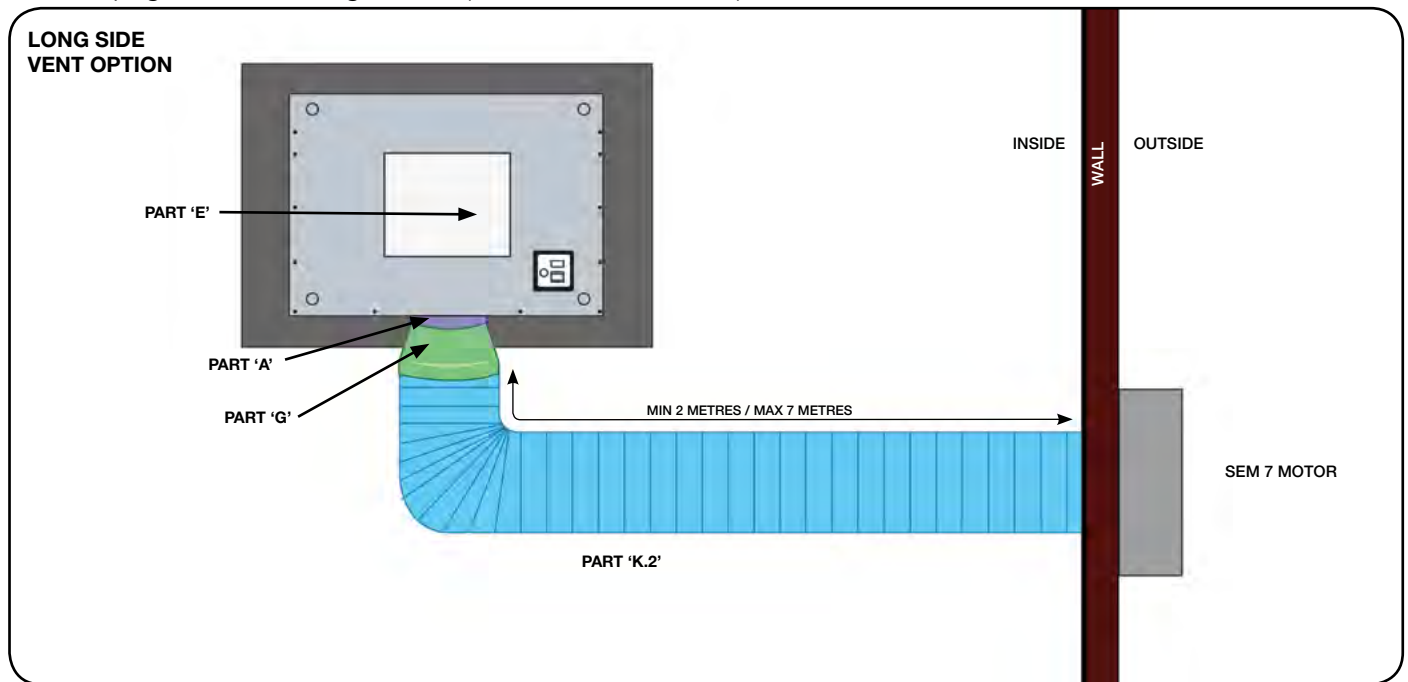
SIDE VENT INSTALLATION: SLT952 EM, SLT968 EM, SLT960 EM
200mm DUCTING: SEM 7 MOTOR (EXTERNAL)

- Ensure that the unused side and top ports are blocked off using the supplied blocking panels (Part 'B' and Part 'E').

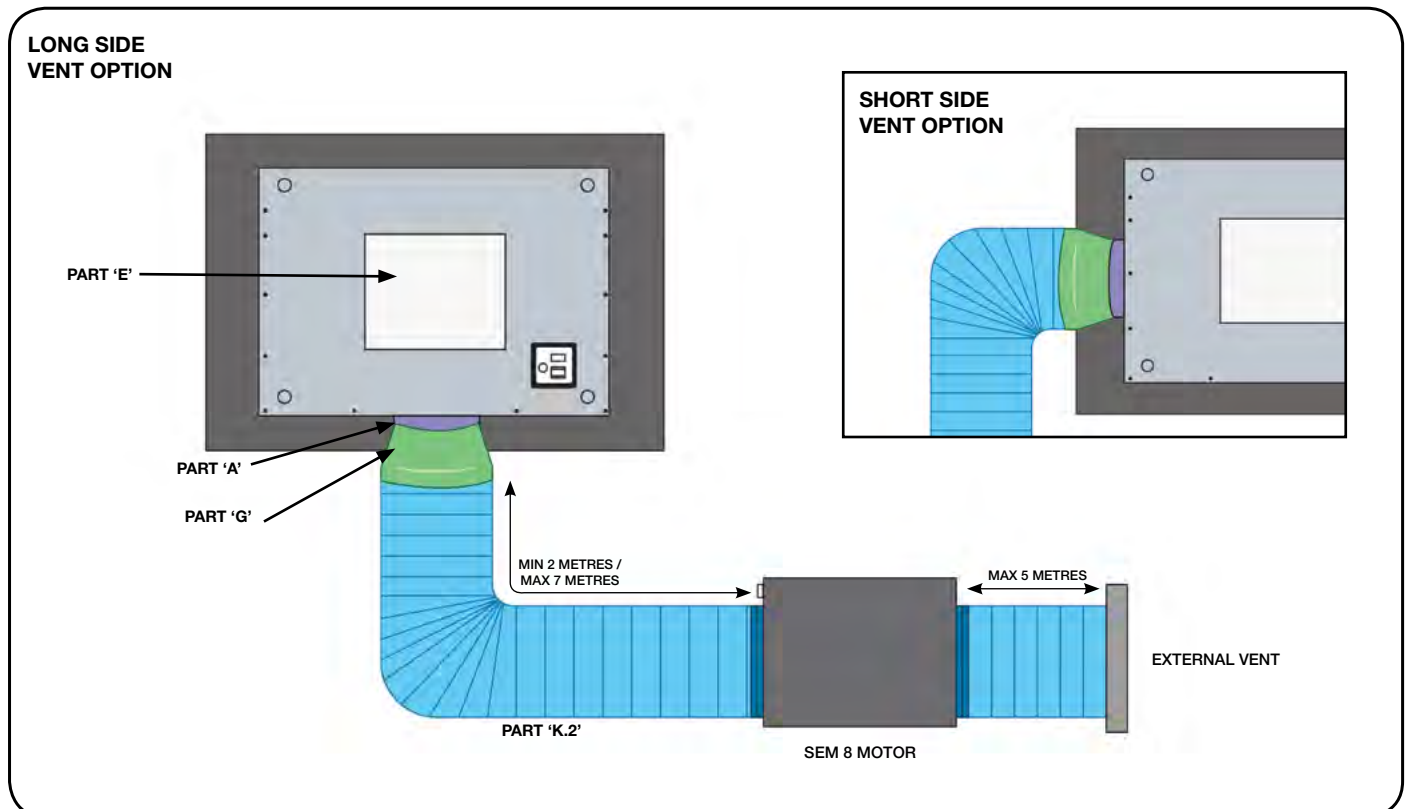
1B: Connect a duct expander (Part 'G') to round adapter, then connect length of ducting (Part 'K.2') to the 200mm outlet.

2B: Secure to the motor with a universal ring clamp (Part 'G').

- See page 12 for ducting to vent (N/A for SEM 7 motor)



SIDE VENT INSTALLATION: SLT952 EM, SLT968 EM, SLT960 EM
200mm DUCTING: SEM 8 MOTOR (INTERNAL)



REMOTE CONTROL

Working:

6 channel control for rangehood remote.

- When the rangehood is first turned on, hold the lighting button for 5 seconds.

RC001 - RADIO CONTROL

Radio control used for the remote operation of rangehoods.

TECHNICAL DATA

- Alkaline battery powered: 12 V mod. 23 A
- Operating frequency: 433.92 Mhz
- Combinations: 32.768
- Max. consumption: 25 mA
- Operating temperature: -20 ÷ + 55 °C
- Dimensions: 120 x 45 x 15 mm.

OPERATING DESCRIPTION

The transmitter is equipped with 5 buttons for cooker hood management, as specified below:

- ☉ : Light ON/OFF command.
- ⏻ : Motor ON (speed level 1) / OFF command.
- : Reduce speed.
- + : Increase speed.
- ⌚ : 10-minute timer.

INITIAL OPERATING CONDITION

The manufacturer supplies the radio control unit ready to be used with codes preset in the factory.



OPERATION MODE

Standard configuration:

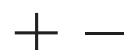
Standard configuration requires all rangehood radio control systems to be provided with the same transmission code. In the event two rangehoods are installed in the same room or nearby, each system may affect the operation of the another. Therefore, the code of one radio control system must be changed.

Generating a new transmission code:

The radio control system is provided with preset codes. Should new codes be required, proceed as follows: Press simultaneously buttons:



for two seconds. When LEDs are on, press buttons:



(within 5 seconds). The LEDs flashing 3 times indicate the procedure is completed.

WARNING! This operation deletes permanently the preset codes.

Learning the new transmission code.

Once the transmission code is changed in the radio control unit, the electronic central unit of the cooker hood must be made to set the new code in the following way:

Press the main power-off button of the hood and then restore power to the electronic control unit. Within the next 15 seconds, press the Light Button to synchronise the central unit with the code.

Reset of the Factory configuration:

To restore the Factory configuration, follow the procedure described below: press simultaneously buttons:



for 2 seconds. When LEDs light on, press buttons:



(within 5 seconds). LEDs flashing 6 times indicate the procedure is completed.

WARNING! This operation deletes permanently the preset codes.

Emergency button:

In the event that the radio control does not work, use the emergency button to switch the appliance off. After any necessary repairs have been performed, reset the emergency button.

DUCTING FROM MOTOR TO WALL VENT: (SEM 1 and SEM 8)

1. Run the length of ducting to the motor. **(Additional lengths of ducting can be attached using an additional internal connector pieces.)**

NOTE: No connector required as it connects directly to the collar of the motor.

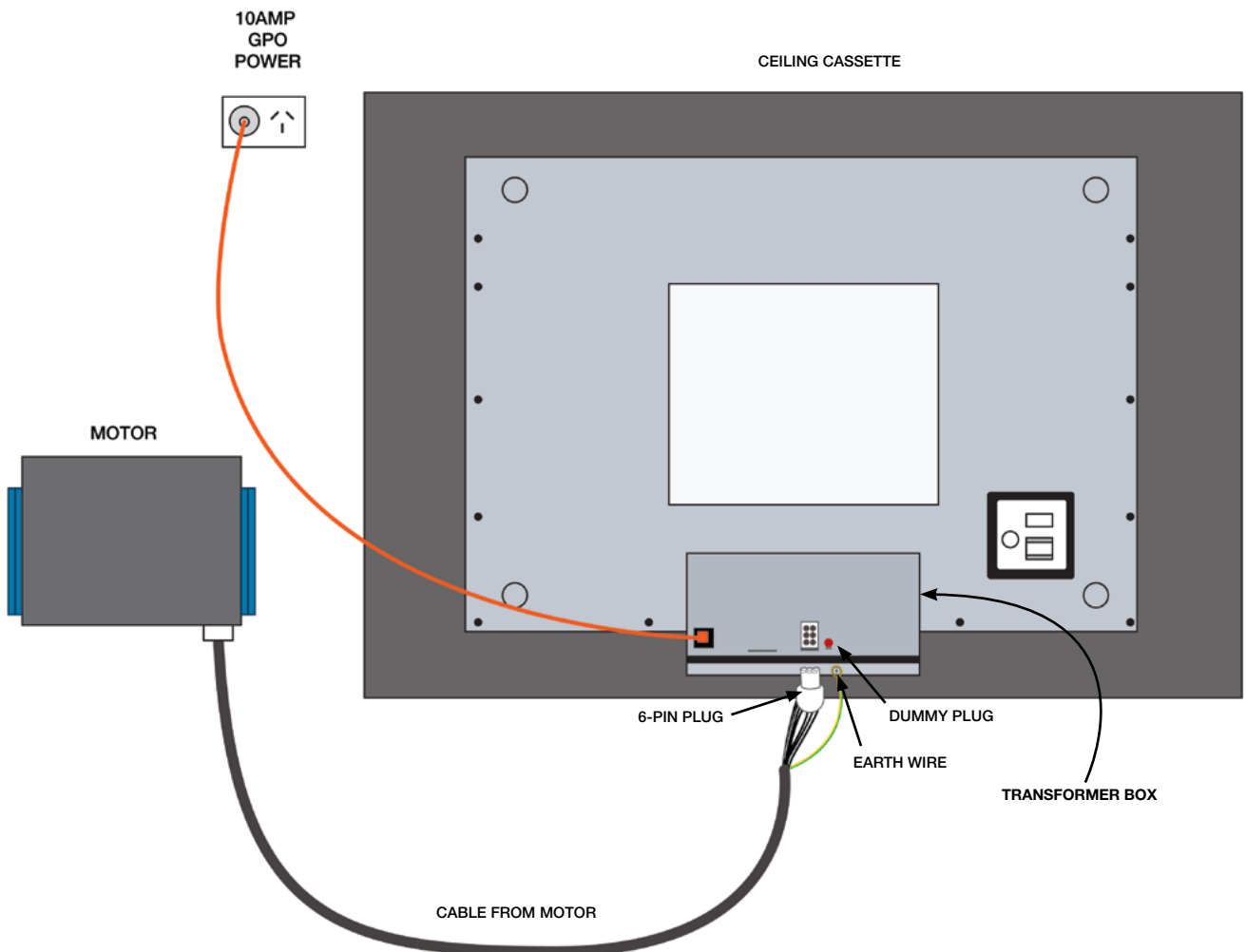
2. Secure with another universal ring clamp (Part 'F').

NOTE: The location of the motor is to be no less than 2 metres away from the rangehood. Failure to do so may result in additional noise level of the downdraft. Maximum distance is 7 metres, however 3 - 5 metres is optimum to minimise noise and maximise performance.

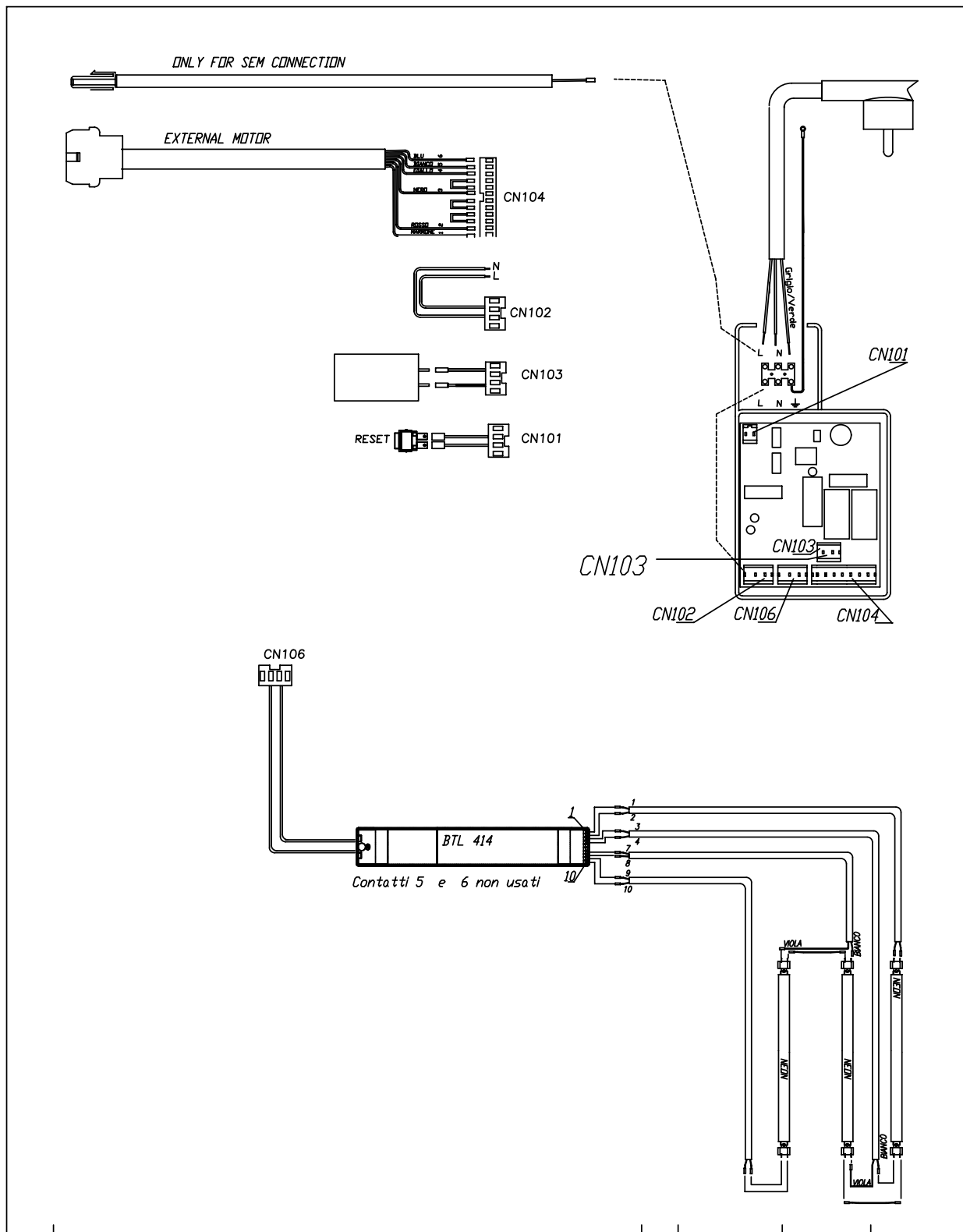
3. Using another length of semi-rigid duct run from the exit collar on the SEM 1 / SEM 8 to a predetermined exit point and connect to weatherproof vent with a clamp.


See www.siriusbrand.com for multiple vent options or see our nearest retail partner.

ELECTRICAL CONNECTION



WIRING DIAGRAM: SLT952 EM

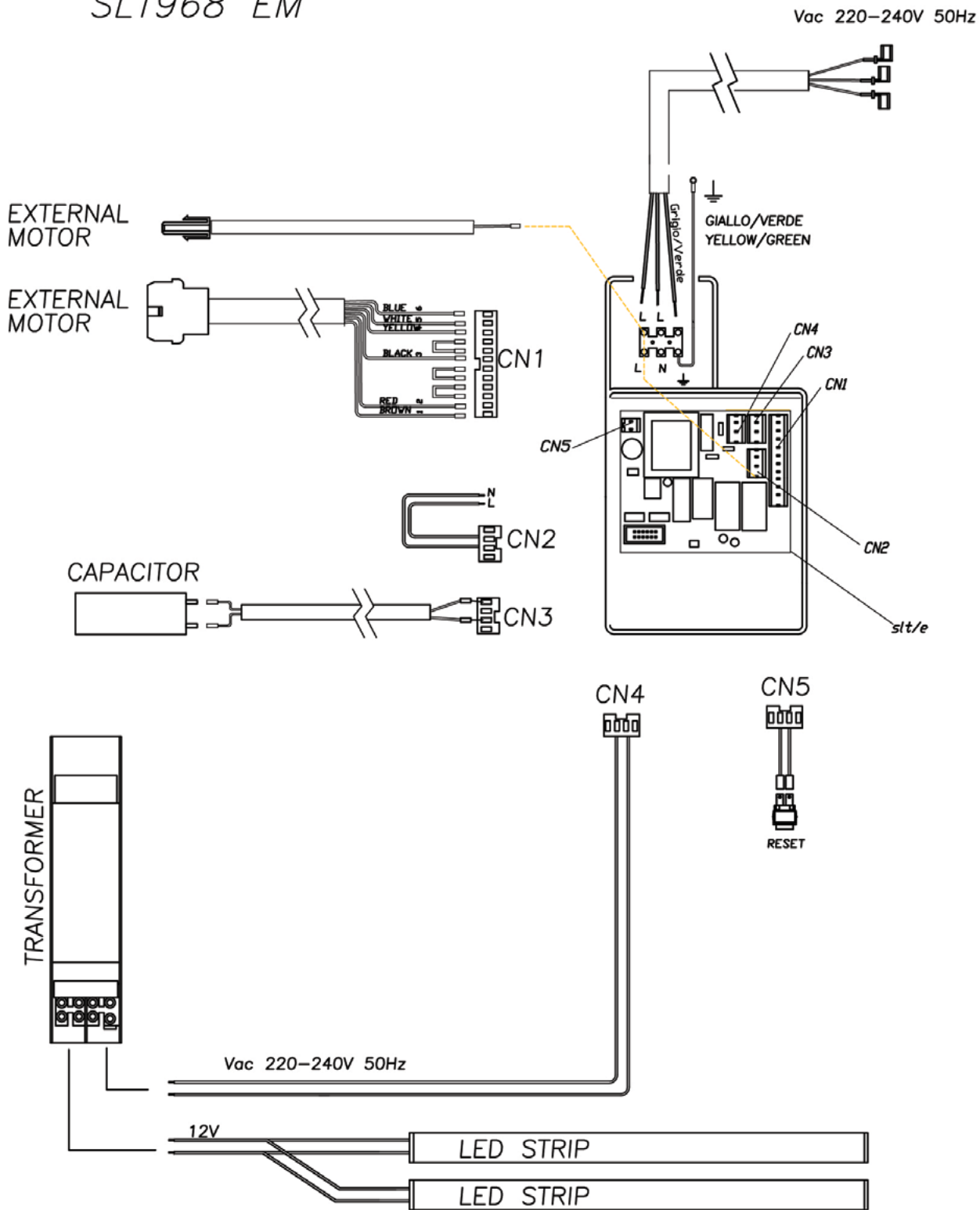


				0.6 mm	
POS.	DENOMINAZIONE	N°	MATERIALE	SPESSORE	N° DISEGNO
DISEGNATO:	DENOMINAZIONE:	INDICE MODIFICA		N° DISEGNO: SHM-070	
A. ELISEI	SCHEMA ELETTRICO				
VERIFICATO:	ELECTRICAL DIAGRAM SLT952				
-					
SOSTITUITO DAL N°:	SOSTITUISCE IL N°:	ATTREZZATURA N°:	FOGLIO:	SCALA:	DATA:
-	-	-			03/05/2011

Il presente disegno, o parte di esso non può essere riprodotto in nessuna forma, con nessun mezzo e per nessuno scopo, senza autorizzazione della proprietà.

WIRING DIAGRAM: SLT968 EM

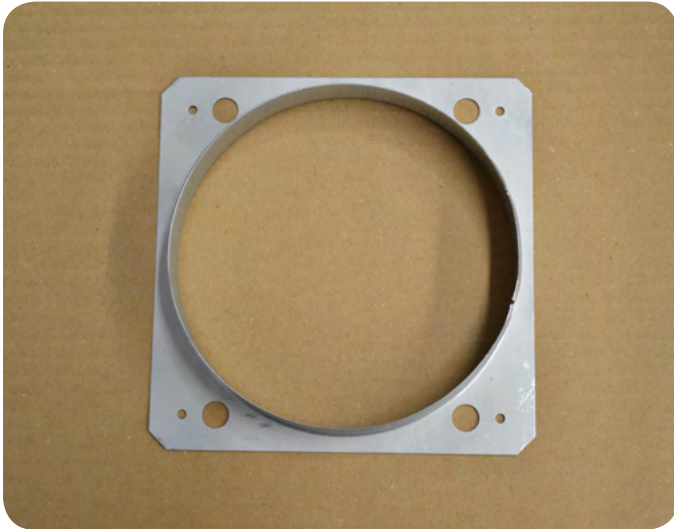
SLT968 EM



PARTS LIST (INCLUDED)

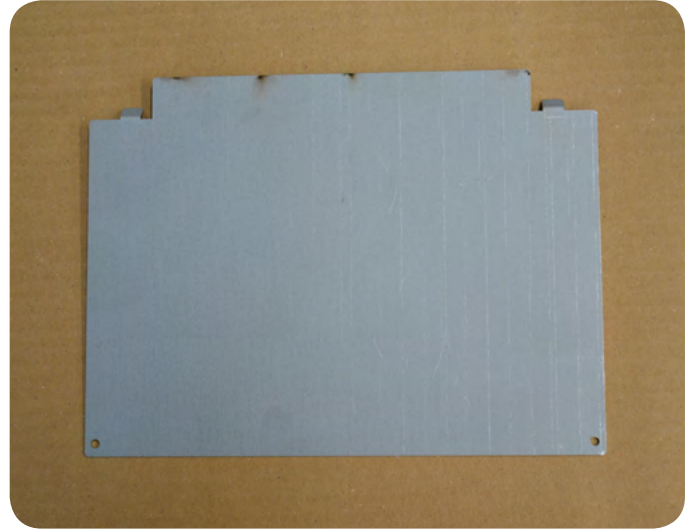
PART A

Side vent adapter



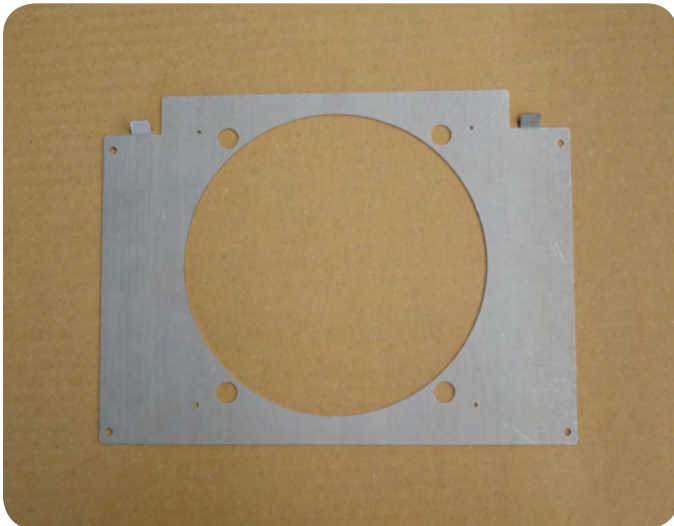
PART B

Side vent cover



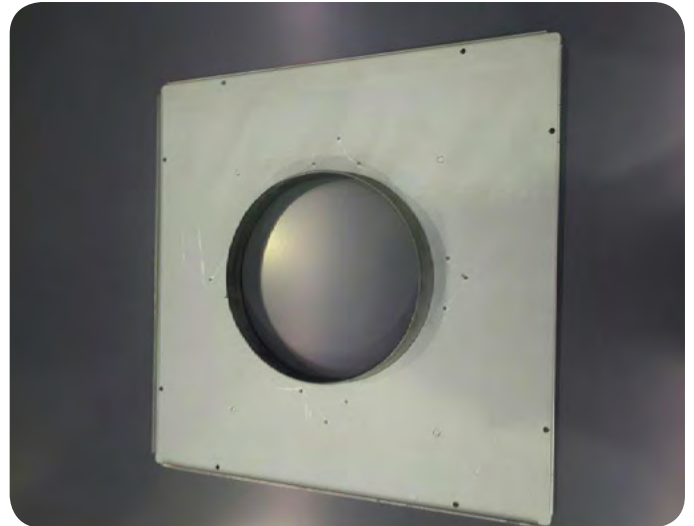
PART C

Top bracket



PART D

Front/rear vent adaptor
SPS-20059120071



PART E

Front/rear vent cover plate
SPS-75059000082



PARTS LIST (NOT INCLUDED)

PART F

Universal ring clamp
URC25-215/325



PART G

150mm to 200mm Duct expander
GDR 150/200



PART H

150mm diameter connector piece
GDC-150



PART J

200mm diameter connector piece
GDC-200



Part K.1 / K.2

Semi rigid aluminium ducting 150mm / 200mm
SRPRO 30/150 or SRPRO 30/200



ARISIT PTY LIMITED (Australia)

ABN 23 091 515 294

40-44 Mark Anthony Drive

Dandenong South VIC 3175

P: Sales & Service: 1300 762 219

F: Sales & Service: (03) 9768 0838

E: arisit@arisit.com

ARISIT PTY LIMITED (New Zealand)

1A Howe Street Newton, Auckland 1145

PO Box 68-140 Newton, Auckland 1145

P: (09) 306 1020 - Fax: (09) 302 0077

E: sales2@aristonappliances.co.nz

www.arisit.com

www.arisitwarranties.com.au

www.siriusbrand.com

 **Year
Warranty**
when Sirius ducting is used.

Full replacement warranty on parts and labour. Check website for T&Cs.

Sirius Hoods and ducting products are only available from our select group of Sirius Professional Stockists nationwide. For the latest list of Sirius Stockists near you, please refer to www.siriusbrand.com

All efforts have been made to ensure that the information provided in this brochure is correct at the time of printing. Due to continuous product improvement and ongoing development, Sirius reserves the right to make changes to the products and technical data without prior notice. Some products appearing in this brochure may be for illustrative purposes only. Diagrams are indicative measures only. Prior to commencing cabinetry cutouts the operating/installation instructions accompanying the product must be referred to at www.siriusbrand.com